

Rod Microscope SM



The Rod Microscope SM is a multifarious testing device, that is useful where magnifying glass enlargements are inadequate.

The Rod Microscope SM

is placed directly on the item to be examined. There are hardly any limitations on the possible uses of this small precision instrument. Through the use of standardized and exchangeable microscope lenses, the device can be adapted to the most diverse requirements.

Three different stand variants are available:



With light transmissive base stand as SM.



With battery lighting as SMB.



With battery lighting and small base stand as SM-HP25 and SM-HP50 for hardness testing.

Application

The basic model with 80x magnification is used in the printing (checking the half-tone dots with test film RPP), the electronic (pc-board production) and textile industry (thread count), just as in many other sectors of material testing.

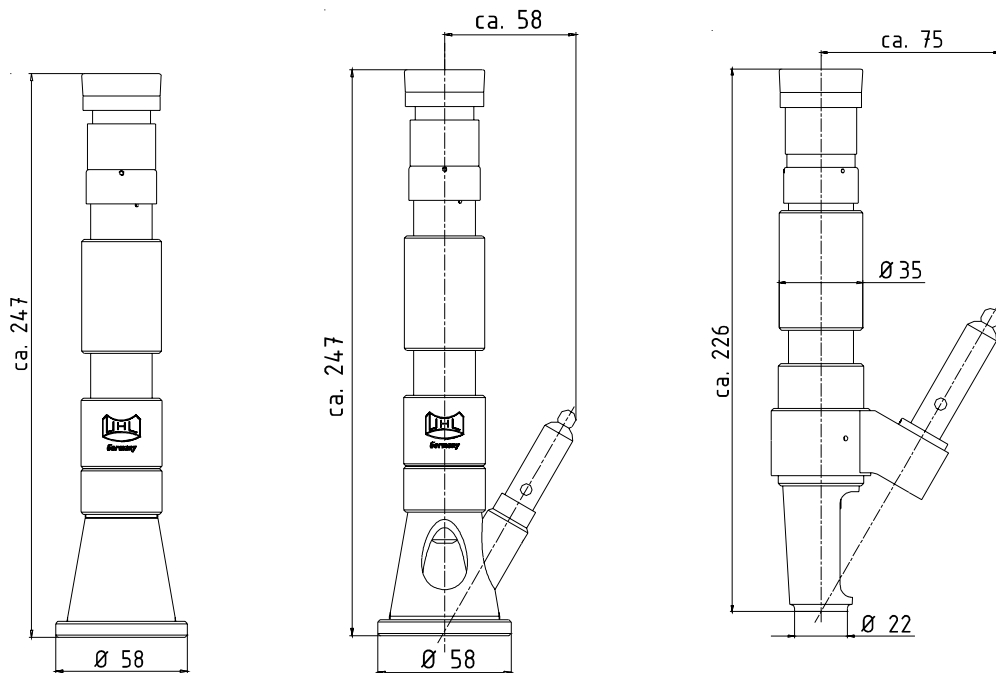
Design

Focussing by height adjustable tube with knurled ring, stable light-transmissive base stand or base stand with battery lighting. The mineral glass plate in the base is exchangeable.

Accessories

Transport box; battery lamp with LED

Dimensions:



Rod Microscopes **without graticule** will be equipped with high-quality eye-pieces from our standard microscope modular component system. The possible total magnifications are **25x, 50x, 80x** and **100x** (only without battery lamp).

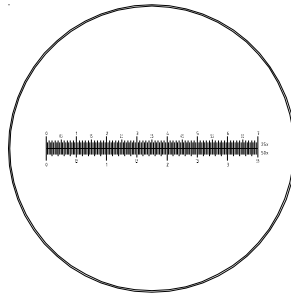
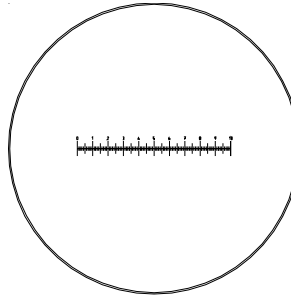


Eye-pieces **WF10XL** and **WF15XL**

The usage of **measuring eye-pieces with integrated graticule** enables magnifications of **25x** and **50x**.

25x magnification:
measuring range 4 mm
1 scale division = 0.04 mm

50x magnification:
measuring range 2 mm
1 scale division = 0.02 mm

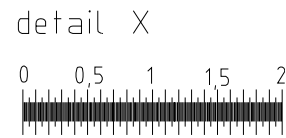
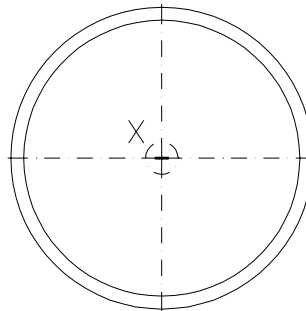


Measuring eye-pieces **WF10XL/M**

graticule for hardness testing

25x magnification:
measuring range 7 mm
1 scale division = 0.05 mm

50x magnification:
measuring range 3.5 mm
1 scale division = 0.025 mm



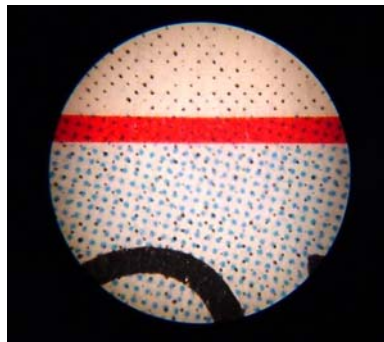
With the **graticule SM1** in the base stand the measurement of soft, nonmetallic products is possible as the graticule will be put directly on the measuring object at **80x** magnification.

80x and 100x magnification:
measuring range 2 mm
1 scale division = 0.01 mm

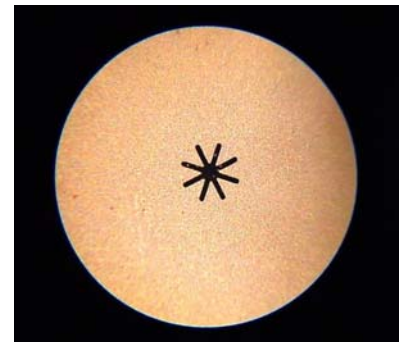
Possible applications for 25x magnification



textile fabric



half-tone dots of a color print



capillary of a spinneret

Revision No.: 04



Order numbers and technical data

	total magnification			
Rod Microscopes without graticule	25x	50x	80x	100x
order number:	SMD25	SMD50	SMD80	SMD100
light transmissive base stand	eye-piece: WF10XL lens: OP1-A03 field of view: 6.5 mm	eye-piece: WF10XL lens: OP1-A06 field of view: 3.1 mm	eye-piece: WF15XL lens: OP1-A06 field of view: 3.1 mm	eye-piece: WF20XL lens: OP1-A06 field of view: 1.7 mm
order number:	SMBD25	SMBD50	SMBD80	
base stand with battery lighting	eye-piece: WF10XL lens: OP1-A03 field of view: 6.5 mm	eye-piece: WF10XL lens: OP1-A06 field of view: 3.1 mm	eye-piece: WF15XL lens: OP1-A06 field of view: 3.1 mm	

	total magnification			
Rod Microscopes with graticule	25x	50x	80x	100x
order number:	SM25	SM50	SMD80 + SM1	SMD100 + SM1
light transmissive base stand	eye-piece: WF10XL/M lens: OP1-A03 field of view: 6 mm graticule: 4 mm 100 x 0.04 mm	eye-piece: WF10XL/M lens: OP1-A06 field of view: 3 mm graticule: 2 mm 100 x 0,02 mm	eye-piece: WF15XL lens: OP1-A06 field of view: 3.1 mm graticule in base stand*	eye-piece: WF20XL lens: OP1-A06 field of view: 1.7 mm graticule in base stand*
order number:	SMB25	SMB50	SMBD80 + SM1	
base stand with battery lighting	eye-piece: WF10XL/M lens: OP1-A03 field of view: 6 mm graticule: 4 mm 100 x 0.04 mm	eye-piece: WF10XL/M lens: OP1-A06 field of view: 3 mm graticule: 2 mm 100 x 0.02 mm	eye-piece: WF15XL lens: OP1-A06 field of view: 3.1 mm graticule in base stand*	
order number:	SM-HP25	SM-HP50		
small base stand with battery lighting for hardness testing	eye-piece: WF10XL/HP lens: OP1-A03 field of view: 9 mm graticule: 7 mm 140 x 0.05 mm	eye-piece: WF10XL/HP lens: OP1-AL05 field of view: 4,5 mm graticule: 3,5 mm 140 x 0.025 mm		

* Only usable on soft, nonmetallic surfaces. Graticule: 2 mm 200 x 0.01 mm

Specifications are about to change without notice!

